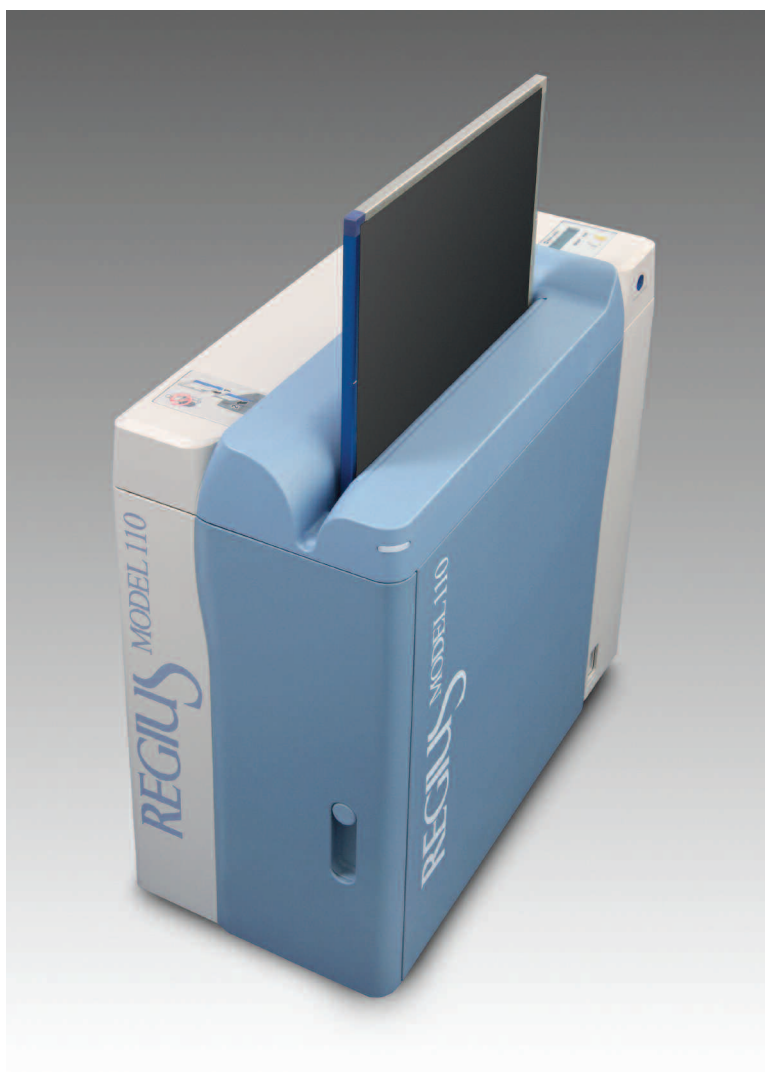




KONICA MINOLTA

## REGIUS NANO CR... The Clinic Solution



# NANO CR

The Clinic Solution

### Runs Fast, Easy-To-Use, Doesn't Break!

Now you can easily convert your clinic to digital radiography with the REGIUS Nano CR system. Processing an astounding 76 plates (14" x 17") per hour, the Nano CR lets you take care of more patients in less time. This compact, single bay reader is designed with dependable, high quality components to ensure system reliability. This means your Nano CR investment will continue to work and give you a great return on investment for years to come.

The Nano CR features intelligent control station software with auto recognition and self learning capabilities. You will be able to generate high quality diagnostic images with minimal training and fewer steps for improved workflow.

### Customer Recognized Values

- Fast... a 2-view exam can be completed in about one minute
- Cassette release handle allows the user access to remove a cassette in the event of a jam. No service call necessary!
- Intelligent systems adjust image quality to your preference
- Dual reader orientation option for customized space utilization
- Optical unit sweeper enables self-maintenance for pristine image quality and longer product lifetime
- Our patented, rigid image plate is contact free within the CR Reader eliminating the potential for image artifacts and extends the life of the plate.

The essentials of imaging

# “Going Digital” with NANO CR Computed Radiography

The value of “Going Digital” is well known. The benefits include the elimination of wet processing chemicals, the reduction of retakes and the consistent production of high quality images. However, users may often be concerned with the learning curve often associated with new technology adoption. Nano CR eliminates these concerns. The built in intelligence of this system allows first-time users of Computed Radiography to produce consistent, high quality images out of the box with minimal instruction.

## Nano CR Reader Specifications\*

<b>Exposure Size</b>	14 x 17", 14 x 14", 11 x 14", 10 x 12", 8 x 10", 18 x 24cm, 24 x 30cm, 15 x 30cm
<b>Sampling Pitch</b>	2 types: 87.5µm and 175µm
<b>Maximum Resolution</b>	4020 x 4892 (14 x 17" / 175µm)
<b>Digital Gradation Level</b>	4096 levels (12 bit)
<b>Processing Capacity</b>	Approximately 76 plates an hour (14 x 17" / 175µm)
<b>Cycle Time</b>	Approximately 47 seconds (14 x 17" / 175µm)
<b>Outer Dimensions / Weight</b>	W29.1" x D14.4" x H29.4" / Approximately 220 lbs.
<b>Power Consumption</b>	AC 100/115/120/200/220/230/240V ±10%; 50/60 Hz; Approx. 700 VA or less
<b>Operating Conditions</b>	Temperature: 15°C – 30°C Humidity: 35% – 80% RH (no condensation)

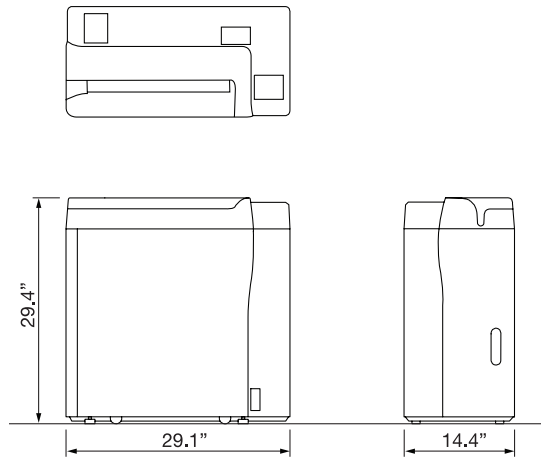
\*Specifications are subject to change without notice.

## Control Station Specifications\*

<b>DICOM Services</b>	DICOM Storage (CR/DX SCU) or DICOM Print SCU DICOM Modality Worklist SCU DICOM Grayscale Standard Display Function SCU DICOM Modality Performed Procedure Step SCU DICOM Grayscale Standard Presentation State SCU DICOM Storage Commitment SCU
<b>Image Output</b>	Up to 2 DICOM Store Plus 1 Backup Up to 1 DICOM Print Plus 1 Backup
<b>Image Processing</b>	Automatic Gradation Processing (G processing) Frequency Processing (F processing) Equalization Processing (E processing) Hybrid Processing (H processing)
<b>Image Storage Capacity</b>	Approximately 5,000 images
<b>Dimensions</b>	PC: 7.2"(W) x 15.8"(D) x 14.5"(H) Touch Screen: 15.0"(W) x 20.3"(H) x 8.2"(D)
<b>Weight</b>	PC: 25 lbs.; Touch Screen: 18 lbs.
<b>Power Source</b>	PC: AC 100–240V; 50/60 Hz Touch Screen: AC 100–240V; 50/60 Hz
<b>Heat Generation</b>	PC: Approximately 160 Watts or 548.8 BTU Touch Screen: 40 Watts or 136 BTU
<b>Operating Conditions</b>	Temperature: 15°C – 35°C Humidity: 40% – 80% (non condensing)

\*Specifications are subject to change without notice.

## Outer Dimensions



## Konica Minolta's Commitment to Customer Satisfaction

At Konica Minolta, your complete satisfaction is our number one goal. From pre-installation through the lifetime of your investment, our professional staff provides the technical expertise you need. Project Management, Applications Training, and Field Services are different teams of Konica Minolta professionals that work together to maintain your continued satisfaction over the lifetime of your investment.

Maximize your investment in CR equipment by selecting the right Blue Moon CR Lifecycle Products and Customer Satisfaction Agreements to ensure the ongoing operational excellence and productivity that your department needs.



**KONICA MINOLTA**

**KONICA MINOLTA MEDICAL IMAGING USA, INC.**  
411 NEWARK POMPTON TURNPIKE  
WAYNE, NJ 07470  
TEL: (973) 633-1500 FAX: (973) 523-7408  
WEBSITE: [medical.konicaminolta.us](http://medical.konicaminolta.us)